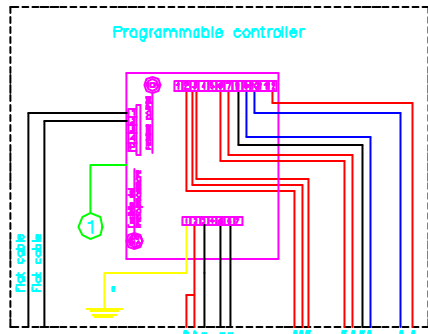


R = Red (Rosso)  
 B = Blue (Blu)  
 W = White (Bianco)  
 G = Green/Yellow (Giallo/Verde)  
 M = Brown (Marrone)  
 BK = Black (Nero)



32	Push button box	LA0305/THE
31	-	-
30	Switch light	L288
29	Fan	L600
28	-	-
27	Cup warmer thermostat	L268
26	Electrical disturbance filter	L201
25	Water level	LA062
24	-	-
23	Solenoid valve	L063
22	Terminal block	L534/9
21	Terminal block	L534/12
20	Electrical disturbance condenser	L202
19	Flowmeter	LA0070
18	Push button box	LA0306/P
17	Switch with light	L288
16	Switch	L288/1
15	Indicator light	L288
14	Switch with cup symbol	L288/1
13	Connector with filter	L200
12	3 way solenoid drive	L100/E
11	Pump	900
10	Electrical disturbance toroidal core	L203
9	Main switch	L400/17
8	Female/male connector	L265/F+L285/M
7	Coffee boiler thermostat switch	L260
6	Pressure switch	L271
5	Bipolar safety thermostat	L278/B
4	Cup heater element	LR371
3	Steam heater element	
2	Coffee boiler element	
1	Programmable controller	LA0305/2

**LA MARZOCCO S.r.l.**

Electrical drawing Mod. AV380 2 gr

DATA: 08/01/00  
 DATA: 08/01/00  
 h.p.

LA MARZOCCO S.p.A. - Via S. Bartolomeo 10 - 37030 San Giovanni Lupatoto (VI) - Italy  
 Tel. +39 0445 432111 - Fax +39 0445 432112

88SE003