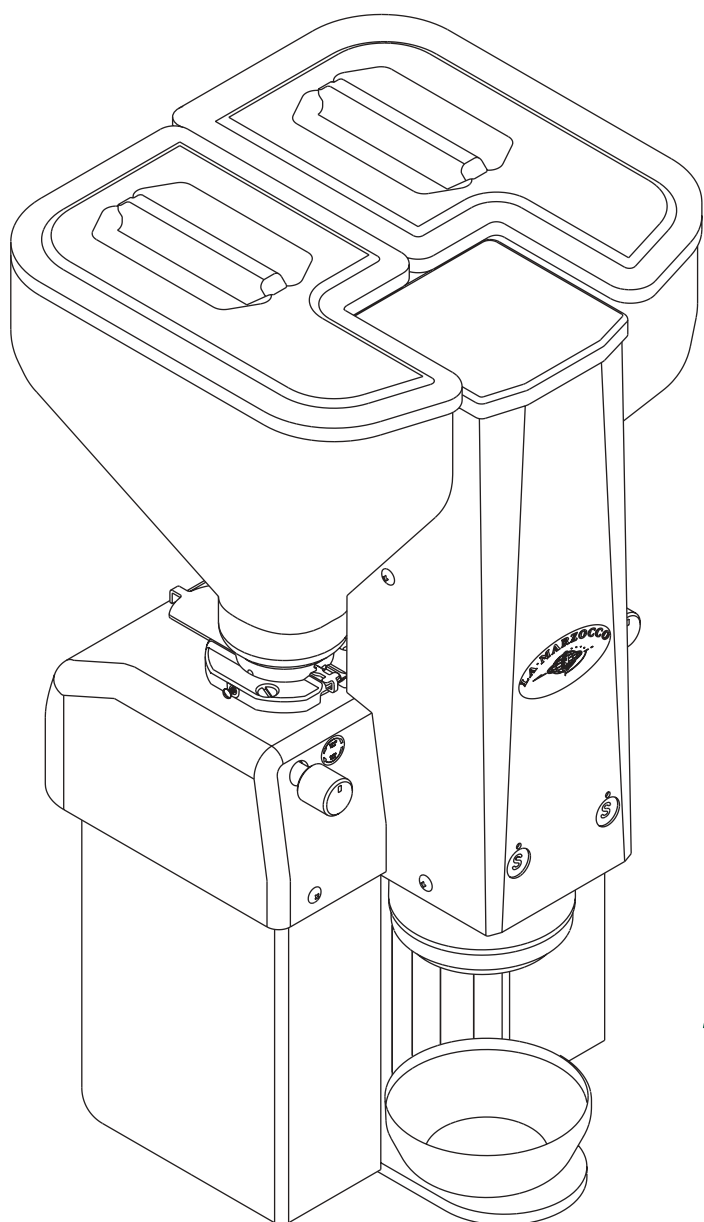


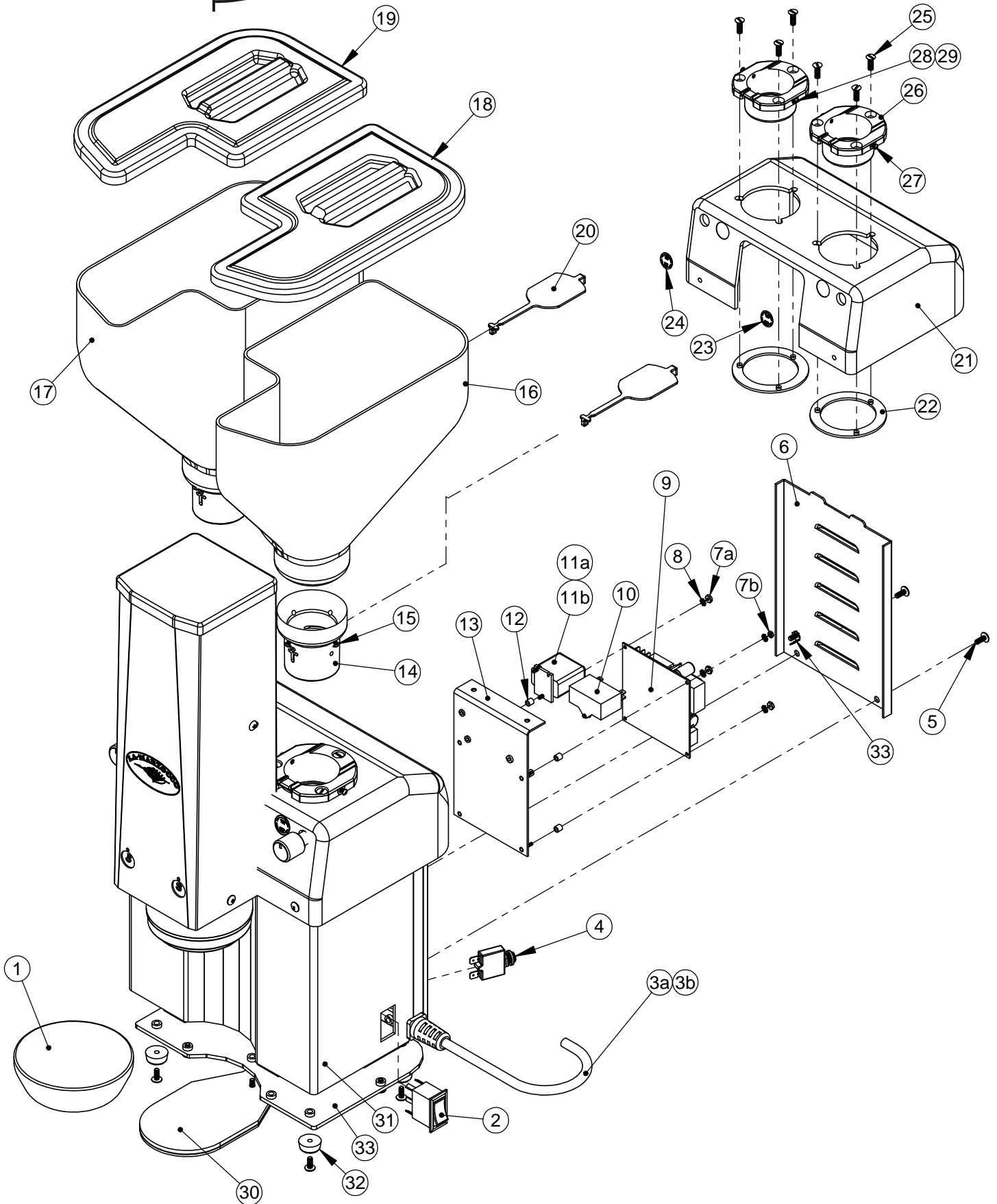


MACCHINE
DA CAFFÈ ESPRESSO
DAL 1927



Swift EPS_B

CATALOGO RICAMBI
PARTS CATALOGUE



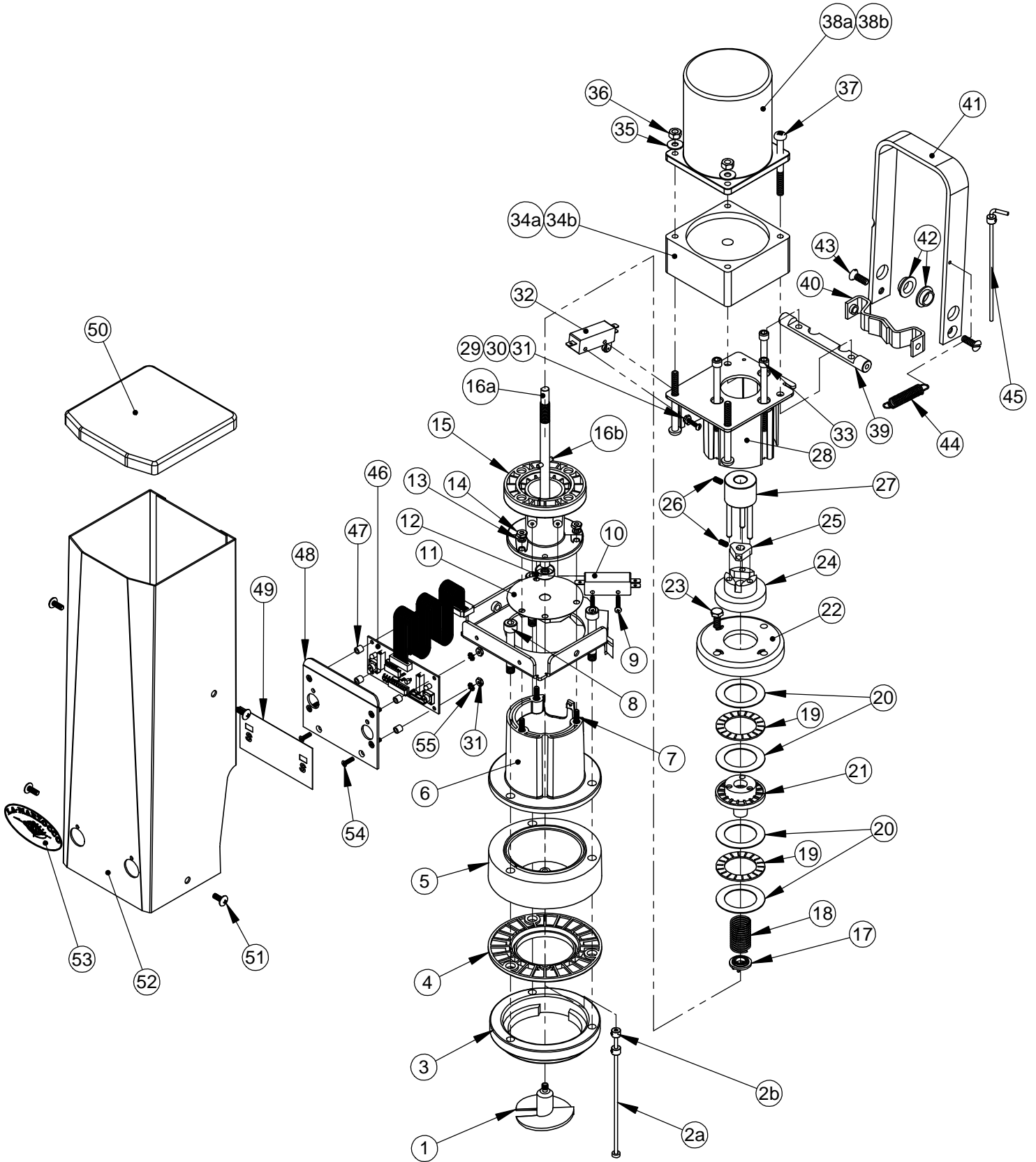


Swift EPS

ITEM	QTY.	PART NO.	DESCRIPTION
1	1	5.336	DRIP TRAY
2	1	5.116	ON/OFF SWITCH W/LIGHT
3a	1	5.114	POWER CORD W/STRAIN RELIEF, 110V
3b	1	5.506	POWER CORD, 220V
4	2	5.373	RESETTABLE BREAKER 10A
5	20	n/a	#10-32UNF TRUSS HEAD PHIL. M/S (BLACK OXIDE)
6	1	5.309	BACK PLATE
7a	3	n/a	#6-32UNC HEX NUT
7b	1	n/a	#6-32UNC SMALL PATTERN HEX NUT
8	4	n/a	#6 STAR WASHER
9	1	5.305	TRANSFORMER BOARD
10	1	n/a	TAMPER MOTOR CAPACITOR
11a	1	5.374	NON-RESETTABLE COUNTER,110V
11b	1	5.374.5	NON-RESETTABLE COUNTER,220V
12	4	n/a	#6-32UNC PCB STAND OFF
13	1	5.310	TRANSFORMER MOUNT
14	2	5.319	HOPPER MOUNT
15	8	n/a	#8-32UNC X 1/4" PAN HEAD PHILLIPS MACHINE SCREW
16	1	5.332	HOPPER, RIGHT
17	1	5.333	HOPPER, LEFT
18	1	5.367	HOPPER LID , RIGHT
19	1	5.369	HOPPER LID, LEFT
20	2	5.315	BEAN GATE
21	1	5.368	GRINDER COVER W/FRONT HOLES
22	2	5.313	BOLT RING
23	1	5.339.1	CLOCKWISE SLOW POUR DECAL
24	1	5.339.2	CTR CLOCKWISE SLOW POUR DECAL
25	6	n/a	1/4"-20UNC X 3/4" FLAT HEAD MACHINE SCREW
26	2	5.361	HOPPER SLEEVE
27	2	n/a	#8-32UNC X 3/4" PAN HEAD SLOTTED MACHINE SCREW
28	2	n/a	#8-32UNC X 5/8" PAN HEAD SLOTTED MACHINE SCREW
29	2	n/a	#8 SPLIT RING LOCK WASHER
30	1	5.342	FOOT PLATE
31	1	5.307.1	BODY WELDMENT, UNPAINTED
32	4	5.120	RUBBER FOOT
33	1	5.306	BOTTOM PLATE
34	1	5.503	GROUND TAB

Swift EPS

Tower Section





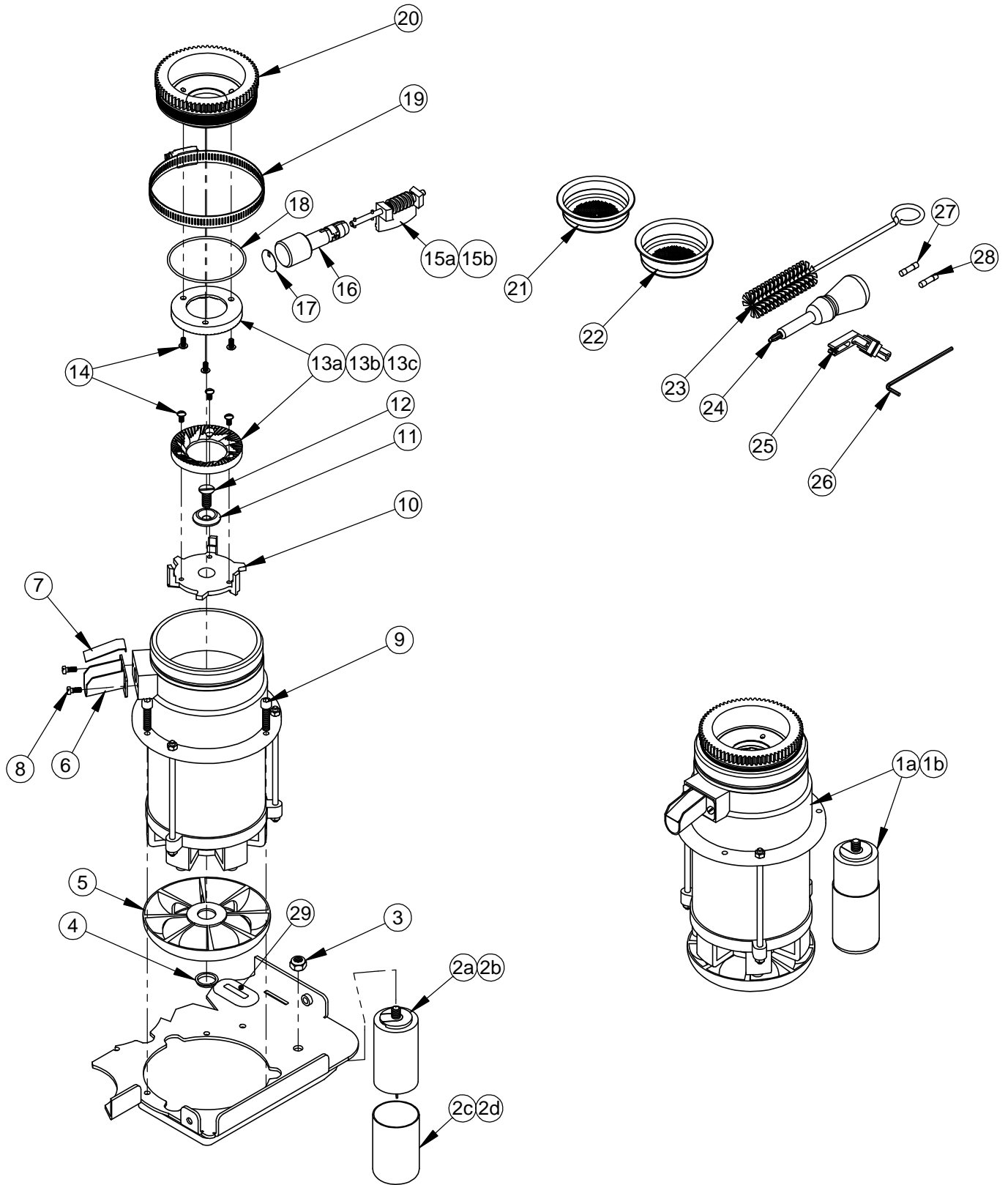
Tower Section

ITEM	QTY.	PART NO.	DESCRIPTION
1	1	5.331	TAMPER IMPELLER
2a	1	5.372	SWITCH PIN ASSEMBLY
2b		5.372.3	1/8" SHAFT COLLER (ONLY)
3	1	L109	BAYONET RING
4	1	5.353	PORTAFILTER SPACER
5	1	5.354	COFFEE CHUTE SPACER
6	1	5.356	COFFEE CHUTE
7	3	n/a	#10-32UNF X 1" STUD
8	3	L110	BAYONET RING MOUNTING BOLT
9	2	n/a	#6 X 7/8" PHILLIPS TRI-LOBE SELF TAPPING SCREW
10	1	5.117.1	PIN SWITCH
11	1	5.371	GASKET, STAINLESS STEEL
12	1	5.110	3/8" LIP SEAL
13	3	n/a	#10 SPLIT RING LOCK WASHER
14	3	n/a	#10-32UNF HEX NUT
15	1	5.358	THRUST BEARING RETAINER
16a	1	5.328	TAMPER SHAFT
16b	1	5.109	3/16" ROLL PIN
17	1	5.359	SPRING RETAINER
18	1	5.111	SPRING, IMPELLER SHAFT
19	2	5.105	THRUST BEARING
20	4	5.106	THRUST BEARING WASHER
21	1	5.360	BEARING SPINDLE
22	1	5.355	THRUST BEARING RETAINER, TOP
23	1	n/a	1/4"-20UNC X 3/4" HEX HEAD CAP SCREW
24	1	5.132	TAMPER SHAFT COUPLING
25	1	5.131	COLLAR, TAMPER SHAFT
26	2	n/a	#10-32UNF CUP POINT SET SCREW
27	1	5.130	COUPLING, MOTOR SHAFT
28	1	5.357	MOTOR MOUNT
29	2	n/a	#6-32UNC PAN HEAD SLOTTED MACHINE SCREW
30	2	n/a	#6 FLAT WASHER
31	8	n/a	#6-32UNC HEX NUT
32	1	5.117	ROLLER SWITCH
33	3	n/a	1/4"-20UNC X 3-1/8" SOCKET HEAD CAP SCREW
34a	1	5.302	GEAR BOX 5/8" DIA SHAFT, 110v
34a	1	5.351	GEAR BOX 5/8" DIA SHAFT, 220v
35	2	n/a	1/4" FLAT WASHER (BLACK OXIDE)
36	2	n/a	HEX NUT, 1/4"-20UNC (BLACK OXIDE)
37	4	n/a	1/4"-20UNC X 2.75" PAN HEAD PHIL. M/S (BLACK OXIDE)
38a	1	5.301	MOTOR AND CAP, 110VAC
38b	1	5.350	MOTOR AND CAP, 220VAC
39	1	5.370	SHAFT LOCK MOUNT
40	1	5.348	SHAFT LOCK SHOE W/BUMPER
41	1	5.347	SHAFT LOCK LEVER
42	2	5.345	BEARING, PLAIN FLANGED
43	2	n/a	1/4"-20UNC X 3/4" FLAT HEAD MACHINE SCREW
44	1	5.122	SPRING, SHAFT LOCK LEVER
45	1	5.372.5	CLEAN OUT TOOL
46	1	5.304	CONTROL, 2 BUTTON
47	4	n/a	#6-32UNC PCB STAND OFF
48	1	5.312	ELECTRONICS MOUNT PLATE
49	1	5.303	BUTTON COVER OVERLAY
50	1	5.337	TAMPER COVER LID
51	4	n/a	#10-32UNF TRUSS HEAD PHIL M/S (BLACK OXIDE)
52	1	5.311	TAMPER COVER
53	1	5.340	DECAL, OVAL, LMI LOGO
54	6	n/a	#6-32UNC FLAT HEAD REDUCED HEIGHT PHILLIPS M/S
55	4	n/a	#6 STAR WASHER

Tower Section



Grinder & Accessories





Grinder & Accessories

ITEM	QTY.	PART NO.	DESCRIPTION
1a	1	5.200	GRINDER MOTOR WITH CAPICITOR, 110V
1b	1	5.201	GRINDER MOTOR WITH CAPICITOR, 220V
2a	1	5.200.51	GRINDER MOTOR CAPICITOR, 110V
2b	1	5.200.53	GRINDER MOTOR CAPICITOR, 220V
2c	1	5.200.52	COVER, GRINDER MOTOR CAPICITOR, 110V
2d	1	5.200.54	COVER, GRINDER MOTOR CAPICITOR, 220V
3	1	n/a	M8 NYLOC HEX NUT
4	1	5.200.27	CLAMP RING FOR FAN
5	1	5.200.28	FAN BLADE
6	1	5.200.10	DISCHARGE
7	1	5.200.11	DISCHARGE COVER
8	2	5.200.15	M4 X 0.70 X 10 CHEESE HEAD SLOTTED MACHINE SCREW
9	3	n/a	1/4"-20UNC X 1" SOCKET HEAD CAP SCREW
10	1	5.200.8	ROTATING GRINDING BURR MOUNT
11	1	5.200.19	ROTATING GRINDING BURR MOUNT WASHER
12	1	5.200.14	M8 X 1.25 X 18MM FLAT HEAD MACHINE SCREW
13a	2	5.200.30	CERAMIC BURRS, STANDARD
13b	2	5.200.301	CERAMIC BURRS, HIGH SPEED
13c	2	5.200.34	STEEL BURRS (ALSO COMES WITH SPACER 5.200.35)
14	6	5.200.16	M4 X 0.70 X 8MM PAN HEAD SLOTTED MACHINE SCREW
15a	1	5.200.31	ADJUSTMENT GEAR ASSEMBLY, RIGHT
15b	1	5.200.36	ADJUSTMENT GEAR ASSEMBLY, LEFT
16	1	5.338	GRIND ADJUSTOR KNOB
17	1	5.339.3	KNOB LOCATION INDICATOR DECAL
18	1	n/a	O-RING
19	1	5.200.26	ADJUSTOR CLAMP
20	1	5.200.7	STATIONARY GRINDING BURR MOUNT
21	1	5.128	19MM FILTER BASKET, SWIFT TAMP (FOR 14 TO 15 GRAMS)
22	1	5.127	22MM FILTER BASKET, SWIFT TAMP (FOR 16 TO 17 GRAMS)
23	1	5.118	CLEANING BRUSH
24	1	5.124	STUB SCREWDRIVER
25	1	5.123	FUSE PULLER
26	1	5.129	LONG ARM HEX KEY, 3/32"
27	1	5.364	FUSE, 1A-SLO
28	1	5.363	FUSE, 125MA
29	1	5.125	RUBBER GROMMET

Grinder and Accessories



MACCHINE
DA CAFFÈ ESPRESSO
DAL 1927



LA MARZOCCO, s.r.l.

VIA BOLOGNESE 68 PIAN DI SAN BARTOLO 50010 FIRENZE, ITALY

T: +39.055.401.39 F: +39.055.401.349

E-MAIL: MARZOCCO@WEBITALY.COM

WWW.LAMARZOCCO.COM